



INDUSTRY CO., LTD.
www.top-elecomponents.com

GSM Ant
TOP-GS



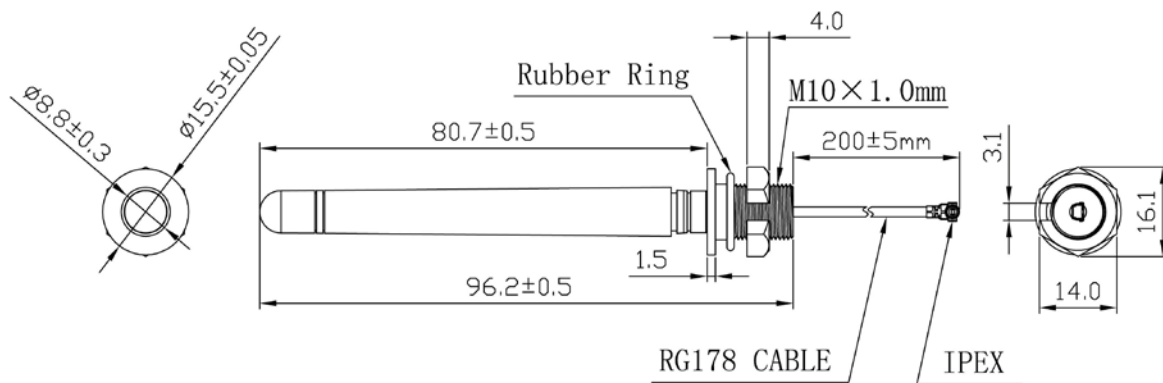
TOP ELECTRONIC INDUSTRY CO.,LTD
Rm407 27th Bldg,Nanhua Zone,Huaqiangan,Futian Dist,SZ,GD,China
Tel:+86-755-8281 5110
Fax:+86-755-8281 5220
Web: www.topecind.com



TOP ELECTRONIC INDUSTRY CO., LTD.

www.topecind.com www.top-elecomponents.com

DIMENSIONS



Unit: mm

SPECIFICATIONS

Item		Specifications
Antenna	Frequency Range	880~960/1710~2170MHz
	Polarization	Linear
	Gain	2dBi (Zenith)
	V.S.W.R (min)	<2.0
	Impedance	50 Ω
Mechanical	Cable	RG178
	Connector	IPEX or others
	Mounting Method	Screw
Environmental	Operating Temperature	-40°C~+85°C
	Relative Humidity	Up to 95%
	Vibration	10 to 55Hz with 1.5mm amplitude 2hours
	Environmentally Friendly	ROHS Compliant

Radiation Pattern

TOP ELECTRONIC INDUSTRY CO.,LTD

Rm407 27th Bldg, Nanhua Zone, Huaqiangnan, Futian Dist, SZ, GD, China

Tel: +86-755-8281 5110

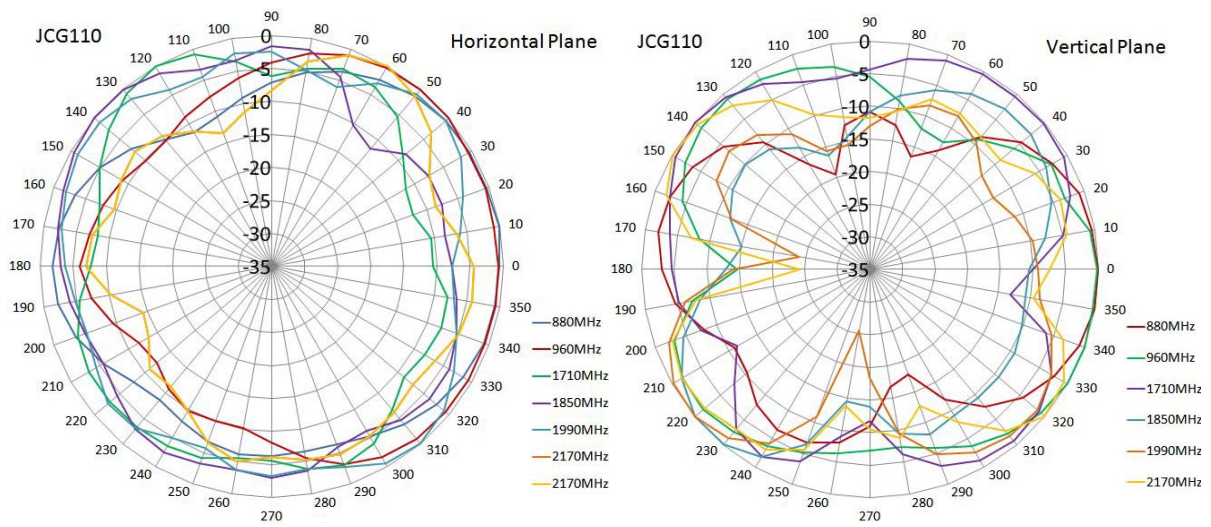
Fax: +86-755-8281 5220

Web: www.topecind.com



TOP ELECTRONIC INDUSTRY CO., LTD.

www.topecind.com www.top-elecomponents.com



TOP ELECTRONIC INDUSTRY CO.,LTD

Rm407 27th Bldg,Nanhua Zone,Huaqianganan,Futian Dist,SZ,GD,China

Tel:+86-755-8281 5110

Fax:+86-755-8281 5220

Web: www.topecind.com